



L'ÉCLAIRAGE DE SÉCURITÉ



PNN



APN



C



R



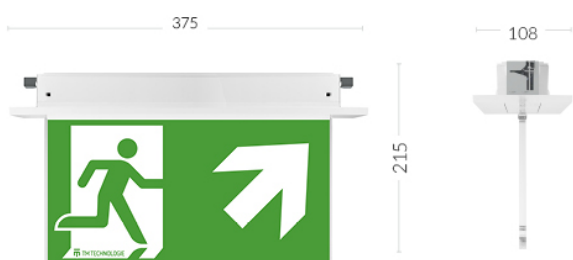
S



JOB

EXIT PPN 31P M AT

EX-PN.31P.AT03W



PARAMETERS

Insulation class	2
View fitting	double-sided fitting
Visibility	32 m
Warranty	24 months - ST 36 months - AT 60 months - DATA, CB
IP	IP20
IK	IK08
Version	AT – auto-test / self-test
Power supply	210+250 V AC 50+60 Hz
Temperature range	10-40 °C
Material	PC
Colour	white
Duration time	3 h
Operating mode	M
Maximum light power (the luminaire can power the light source with a different power)	2.5 W
Active power	6.7 W
Luminance	>200 cd/m ²
Battery	LiFePO ₄ /C 6.4V 1.5Ah

EXIT APN 31P M AT

EX-AN.31P.AT03W

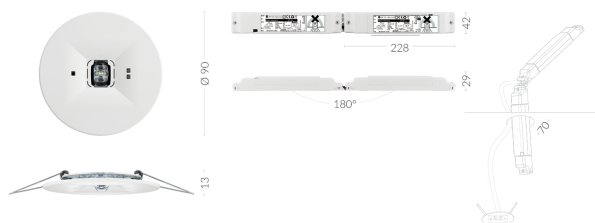


PARAMETERS

Insulation	II
View fitting	one-sided or double-sided
Visibility	32 m
Warranty	24 months - ST 36 months - AT 60 months - DATA, CB
IP	IP20
IK	IK08
Version	AT – auto-test / self-test
Power supply	210+250 V AC 50+60 Hz
Temperature range	10-40 °C
Material	PC
Colour	white
Duration time	3 h
Operating mode	M
Maximum light power (the luminaire can power the light source with a different power)	2.5 W
Active power	6.7 W
Insulation class	2
Luminance	>200 cd/m ²
Battery	LiFePO ₄ /C 6.4V 1.5Ah

TM.ONTEC C C1 302 M AT

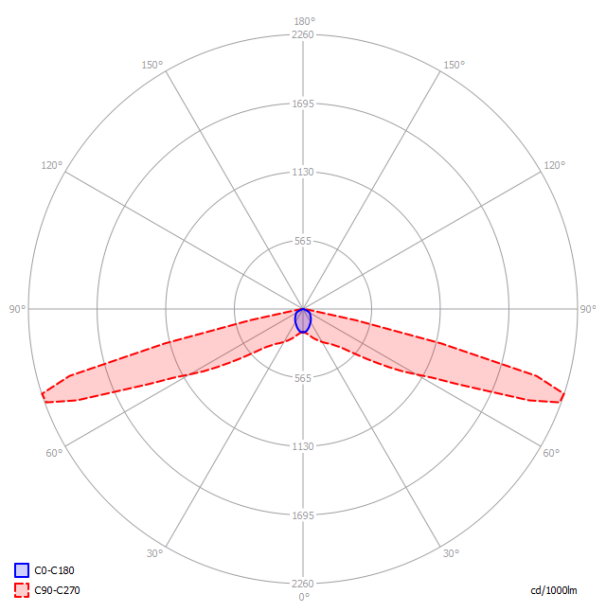
TM-OC.C1ATM300W



PARAMETERS

Standards	PN-EN 60598-1, PN-EN 60598-2-22, PN-EN 61347-1, PN-EN 61347-2-7, PN-EN 61347-2-13, PN-EN 55015, PN-EN 61000-3-2, PN-EN 62031, PN-EN 62471, PN-EN 1838
Warranty	24 months - ST 36 months - AT 60 months - DATA, CB
Application	escape route lighting
IP	IP20
IK	IK03
Version	AT - auto-test / self-test
Power supply	210+250 V AC 50+60 Hz
Power supply CB	186+254 V DC
Temperature range	10-35 °C
Material	PC
Colour	RAL9003
Duration time	3 h
Operating mode	M
Maximum light power (the luminaire can power the light source with a different power)	3 W
Active power	7.0 W
Insulation class	2
Luminous flux	260 lm
Battery	LiFePO4/C 6.4V 1.5Ah
Dimming mode	no

PHOTOMETRY [m]



Ceiling height

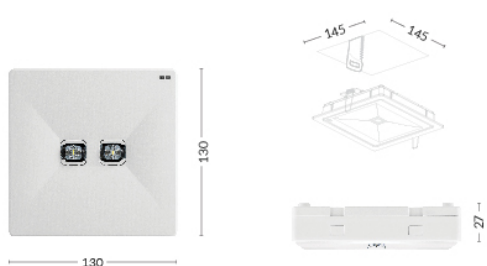
Distance wall - fitting

Distance fitting - fitting

2,5	9,5 - 1h/CB 8,5 - 3h	21,0 - 1h/CB 19,0 - 3h
3,0	11,0 - 1h/CB 9,0 - 3h	24,0 - 1h/CB 21,0 - 3h
4,0	13,0 - 1h/CB 7,5 - 3h	29,0 - 1h/CB 23,0 - 3h
5,0	13,5 - 1h/CB 3,0 - 3h	32,0 - 1h/CB 20,0 - 3h
6,0	10,5 - 1h/CB 3,0 - 3h	34,0 - 1h/CB 14,0 - 3h
7,0	5,0 - 1h/CB	32,0 - 1h/CB
8,0	3,0 - 1h/CB	26,0 - 1h/CB
9,0	4,0 - 1h/CB	19,0 - 1h/CB
10,0	/	/

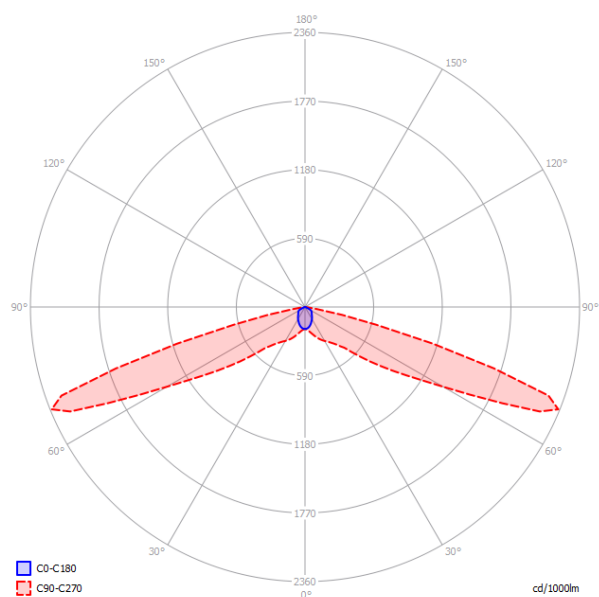
EXIT R C2 105 M AT

EX-OR.C2.AT002



PARAMETERS

Standards	PN-EN 60598-1, PN-EN 60598-2-22, PN-EN 61347-1, PN-EN 61347-2-7, PN-EN 61347-2-13, PN-EN 55015, PN-EN 61000-3-2, PN-EN 62031, PN-EN 62471, PN-EN 1838
Warranty	24 months - AT 36 months - ST 60 months - DATA, CB
Application	escape route lighting
IP	IP20
IK	IK03
Version	AT – auto-test / self-test
Power supply	210÷250 V AC 50÷60 Hz
Temperature range	10-35 °C
Material	PC
Colour	white
Duration time	1 h
Operating mode	M
Maximum light power (the luminaire can power the light source with a different power)	4.5 W
Active power	6.7 W
Insulation class	2
Luminous flux	465 lm
Battery	LiFePO4/C 6.4V 1.5Ah

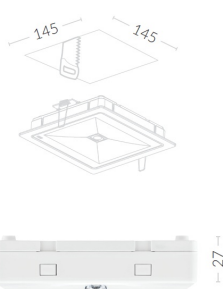


PHOTOMETRY [m]

Ceiling height	Distance wall - fitting	Distance fitting - fitting
2,5	9,1	20,0
3,0	10,3	22,8
4,0	12,6	28,0
5,0	14,5	32,9
6,0	16,2	37,0
7,0	17,0	41,0
8,0	15,9	43,5
9,0	6,5	34,0
10,0	5,0	29,0

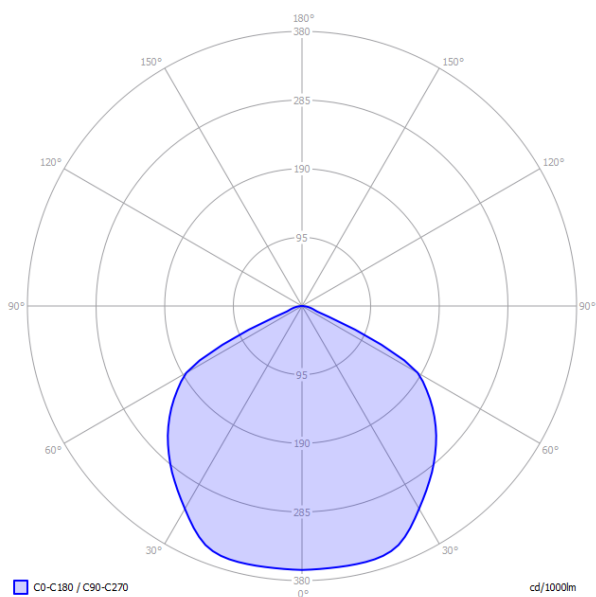
EXIT R M5 105 M AT

EX-OR.M5.AT001



PARAMETERS

Standards	
Warranty	24 months - ST 36 months - AT 60 months - DATA, CB
Application	anti-panic lighting
IP	IP20
IK	IK03
Version	AT – auto-test / self-test
Power supply	210÷250 V AC 50÷60 Hz
Temperature range	10-35 °C
Material	PC
Colour	white
Duration time	1 h
Operating mode	M
Maximum light power (the luminaire can power the light source with a different power)	4.5 W
Active power	6.7 W
Insulation class	2
Luminous flux	555 lm
Battery	LiFePO4/C 6.4V 1.5Ah



PHOTOMETRY [m]

Ceiling height	Distance wall - fitting	Distance fitting - fitting
2,5	4,2	8,9
3,0	4,7	10,3
4,0	5,7	13,0
5,0	6,4	15,0
6,0	6,6	17,0
7,0	7,0	19,0
8,0	7,0	20,0
9,0	6,9	21,2
10,0	6,9	22,0

EXIT R | TM AKC.OR00W



DEDICATED TO FITTINGS:

EXIT R C1, C2, EXIT R M1, M2, M5, EXIT R S1, EXIT R W1, EXIT R C1, C2, EXIT R M1, M2, M5, EXIT R W1, EXIT R E1, EXIT R E1S, EXIT R E1

Recess-mounting bracket

- Designed for recess mounting in a ceiling or wall
- the kit includes a fascia panel and all elements required for installation
- compatible with emergency luminaire models



APPLICATION

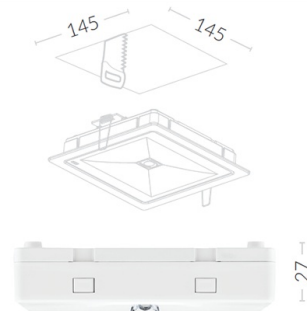
TECHNICAL PARAMETERS

Material

PC

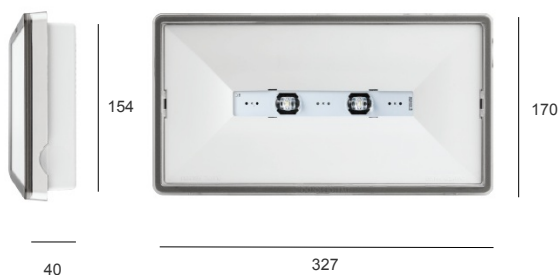
Color

white | EX-AKC.OR00W
grey | EX-AKC.OR00G
black | EX-AKC.OR00B



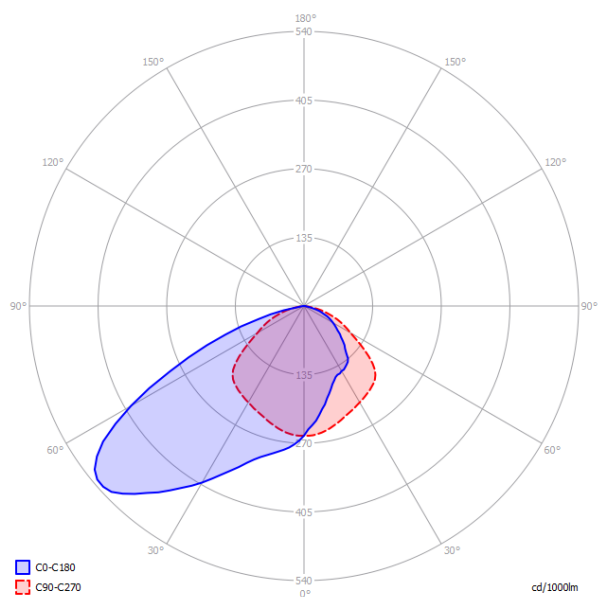
EXIT S30 M1X 60/180 M/NM AT

EX-S3.MXATX060W



PARAMETERS

Standards	PN-EN 60598-1, PN-EN 60598-2-2, PN-EN 60598-2-22, PN-EN 61347-1, PN-EN 61347-2-7, PN-EN 61347-2-13, PN-EN 55015, PN-EN 61000-3-2, PN-EN 62031, PN-EN 62471, PN-EN 1838
Warranty	24 months - ST 36 months - AT 60 months - DATA, CB
Application	lighting of the final exit / fire-protection devices
IP	IP65
IK	IK08
Version	AT – auto-test / self-test
Power supply	210÷250 V AC 50÷60 Hz
Temperature range	10-40 °C
Material	PC
Colour	white
Duration time	1 h
Operating mode	M
Maximum light power (the luminaire can power the light source with a different power)	4.5 W
Active power	6.8 W
Insulation class	2
Luminous flux	388 lm
Battery	LiFePO4/C 6.4V 1.5Ah



PHOTOMETRY [m]

Ceiling height

- 2,5
- 3,0
- 4,0
- 5,0
- 6,0
- 7,0
- 8,0
- 9,0
- 10,0

Distance wall - fitting

Distance fitting - fitting

EXIT S | TM-AKC.UN000

DEDICATED TO FITTINGS:

EXIT S | A , EXITS M1, M2, M5 , EXIT S C1, C2 , EXIT S F1, F2 ,
EXIT S W1, W2 , EXIT S M1, M2, M5 , EXIT S C1, C2 , EXIT S F1, F2 , EXIT S W1, W2 ,
EXIT S | E , EXIT S + FLAGA , EXIT S + FLAGA , EXIT S + PIKTOGRAM ,
EXIT S + PIKTOGRAM , EXIT S20 + PICTO.



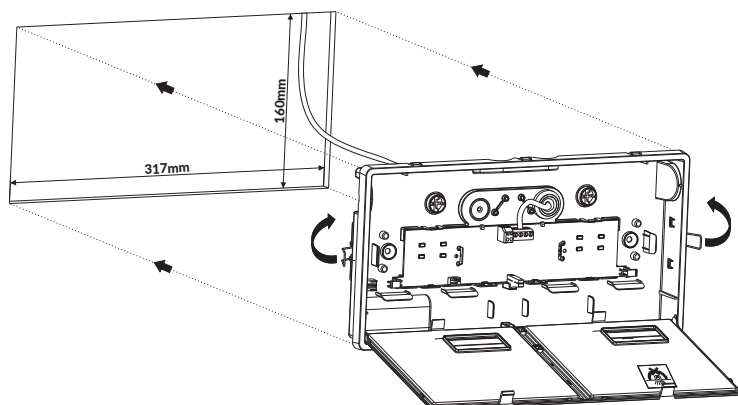
Recess-mounting bracket

- Enables flush-mounting



APPLICATION

TECHNICAL PARAMETERS

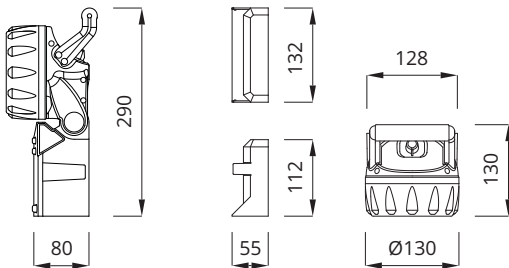


Material	metal
installation	recessed
Colour	white grey black



JOBLED

EX-S3.MXATX060W



PARAMETERS

Standards	PN-EN 60598-1, PN-EN 60598-2-2, PN-EN 60598-2-22, PN-EN 61347-1, PN-EN 61347-2-7, PN-EN 61347-2-13, PN-EN 55015, PN-EN 61000-3-2, PN-EN 62031, PN-EN 62471, PN-EN 1838
Warranty	24_months-ST
Application	Portable Light
IP	IP43
IK	IK08
Version	Self-test
Power supply	210÷250 V AC 50+60 Hz
Temperature range	10-40 °C
Material	Polycarbonate hit resistant
Colour	Black
Duration time	8,5 h
Operating mode	M
Maximum light power	3 W
Insulation class	II
Luminous flux	120 lm
Battery	6V 4,0Ah
Additional information	LED indicator signalizes mains power supply and battery charge Charging through wall mounted adapter or directly from mains 230V